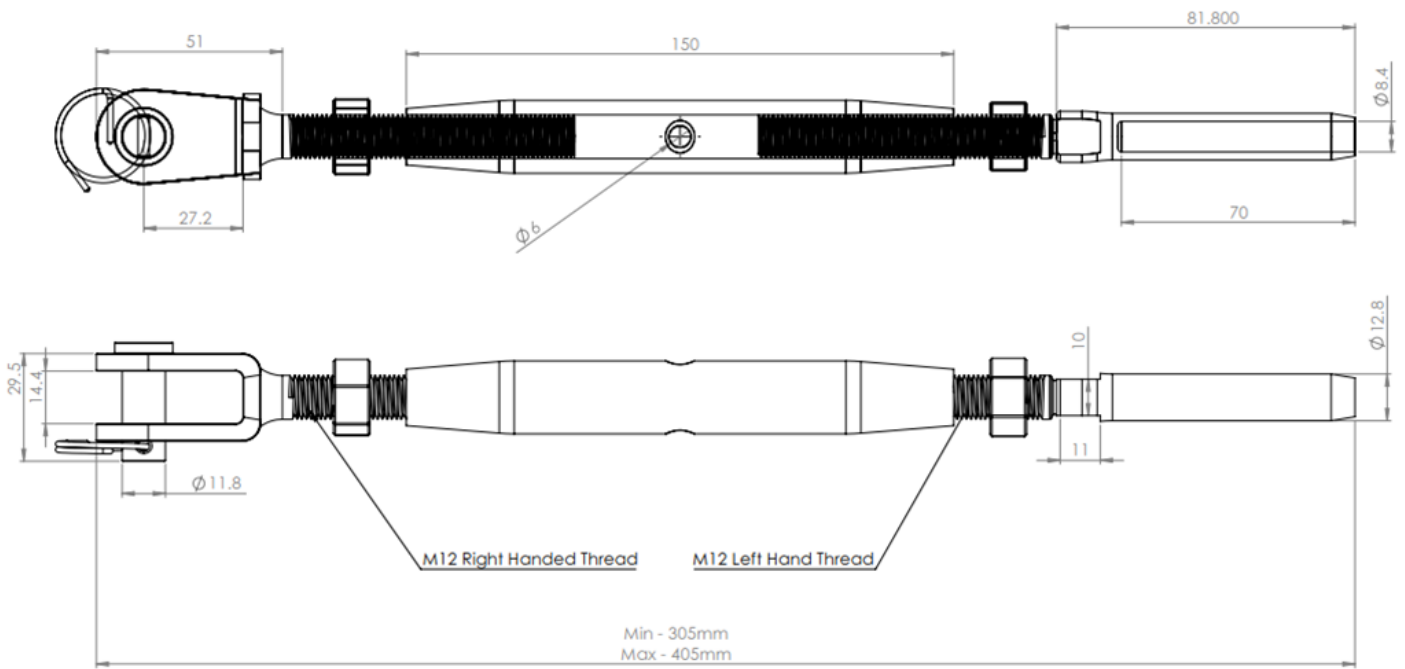


Tension Indicator



Specification

Product code	FP-LT
Material number	1501206
Material	Stainless steel grade 316
Finish	Polished
Weight (kg)	0.470
Quality	ISO 9001
Conformity	EN 795:2012, CEN/TS 16415:2013

Application

Line Tensioner to be fitted to start/end termination on Soter™ II high load or rigid structure/wall termination bracket to aid tension on longer lines or those with multiple deviations.

