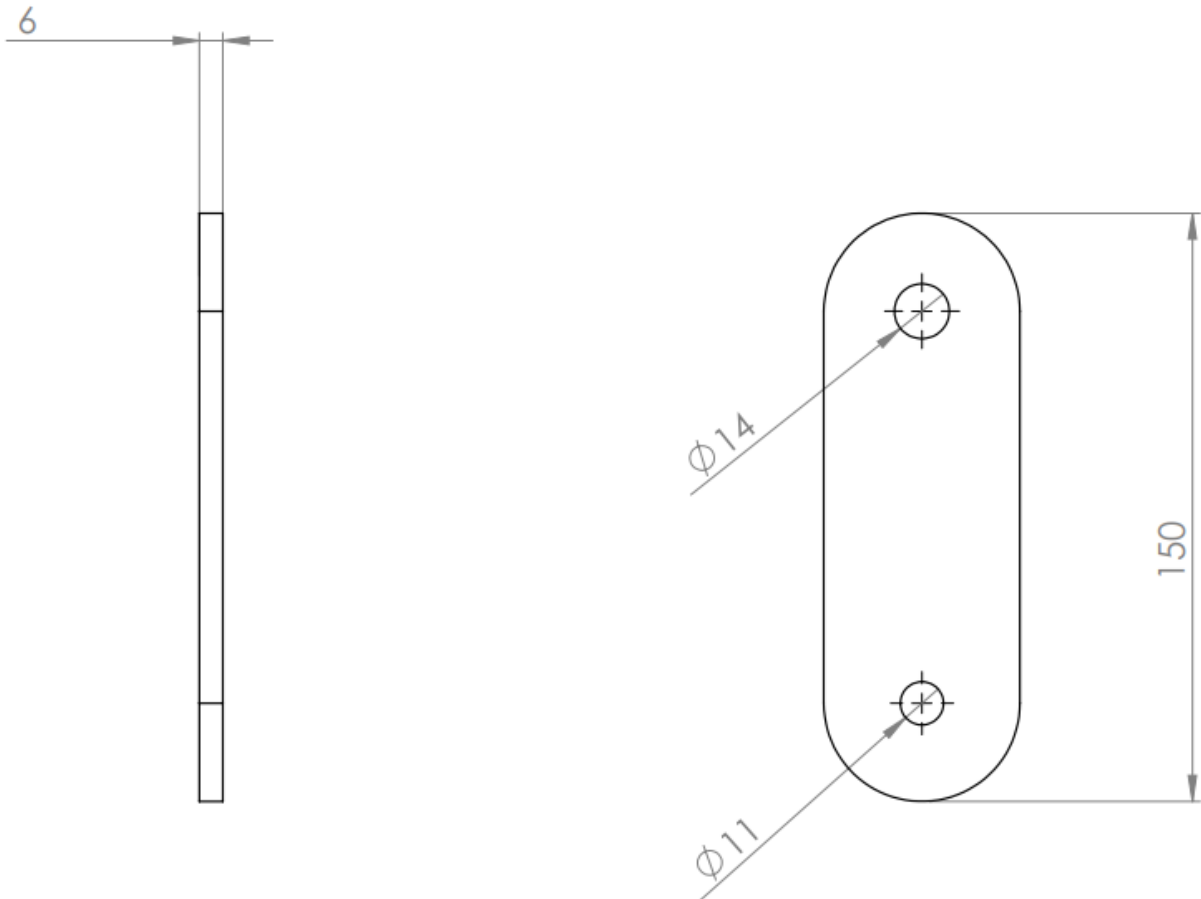


2 Hole Plate



Specification

Product code	FP-CP-2H
Material number	1501201
Material	Stainless steel grade 304
Finish	Brushed
Weight (kg)	0.320
Quality	ISO 9001
Conformity	EN 795:2012, CEN/TS 16415:2013

Application

2 Hole Plate to be fitted to Soter™ high load post to create a start/end termination. Can also be used to create a T-Off/Throw used in combination with a intermediate bracket.

